

DDJ10/10HF>>Multifunctor cradle for lift engine



Main Technical Data of Multifunction Cradle ,For lifting engine

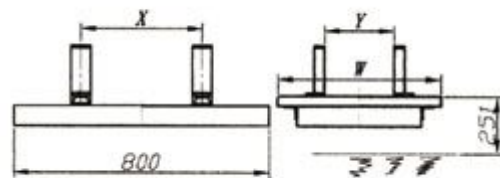
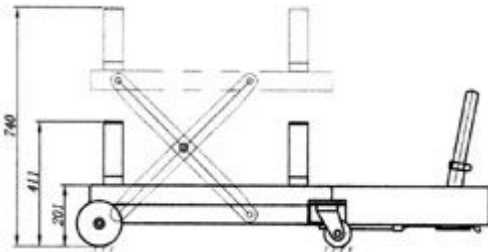
For exchanging parts, lifting boxed and front/back beam of automobile



Worksite



Worksite of Model 6135



For dismantling–assembling engine of bus and short distance transport

Model	kg	mm	mm	kg
DDJ10	1000	411-740	1450x620x411	198
DDJ10HF	1000	411-740	1450x620x411	165

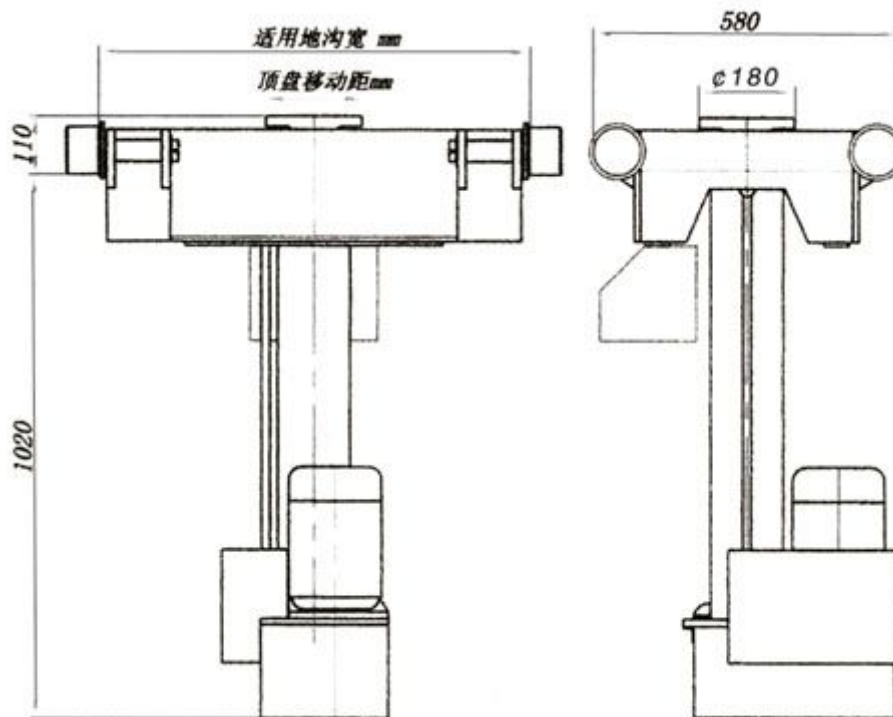
Main Technical Data of X and Y directions of Cradle

X	Y	W	
380~740	250~370	=510	=730

XYD100A/100B/100C>> Ditch hanging-type Jacking-up machine



Model DXYD100 Ditch hanging-type Jacking-up Machine,used for lifting vehivles on ditch.



ModelDXYD100Ditchhanging-type Jacking-up MachineMain Technical Data

Model	kN	MPa	mm	kw	mm		kg
DXYD100A	100	10	650	1.5	750-850	±130	305
DXYD100B	100	10	650	1.5	850-950	±150	325
DXYD100C	100	10	650	1.5	950-1050	±170	355

**PRODUCTS>>FCJ 5/8/10/10YC/15>>Motor dismantling-assembling equipment**



Model FCJ5 is suitable for miniature vehicles



For repairing Model 6112/6108 four-stroke engine



Model FCJ10 is suitable for heavy-duty vehicles ,Model FCJ15 is suitable for maintaining engineering and machinery engines



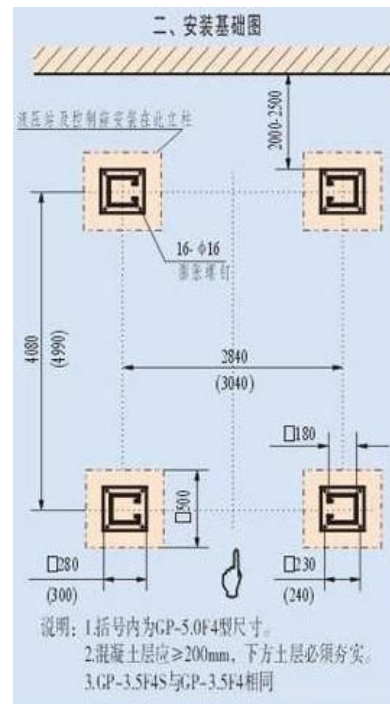
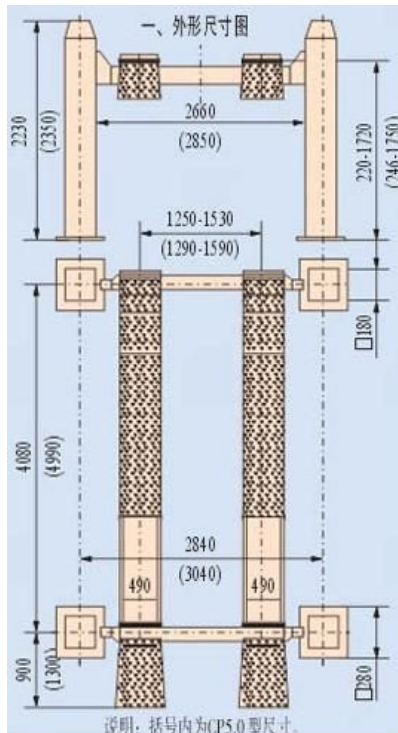
Model FCJ8 is suitable for mid-sized vehicles



**Main Technical Data of Motor dismantling–assembling equipment**

Model	kg	kg	A	B	C	D	E
FCJ5	500	127	1420	600	820	690	530
FCJ8	750	188	1790	750	890	760	570
FCJ10	1000	288	2190	850	960	780	600
FCJ10 <sub>yc</sub>	1000	375	1335	1000	1120	940	750
FCJ15	1450	415	2384	900	980	800	600

Four column and Four wheel lifter



Product type	Power	Lift weight	Lift height	The second lifting Capacity	The second lifting Height
GP-3.5F4	2.2Kw 380V	3.5T	220-1720mm	2T	325mm
GP-5.0f4	2.2Kw 380V	5.0T	246-1750mm	3T	325mm
GP-3.5FX4	2.2Kw 380V	3.5T	255-1760 mm	3.5T	450mm

feature

The alignment of the life can adjusted high precision,which is the ideal equipment for four-wheel alignment.  
The position of the front wheel turning table(optional part )is adjustable so that the side slide plate can be fi for more cars.

Device performs stable and work with anti-breaking ropesafety insurance..

With second lifting trolley guide rail and can optional add



Widely used for assembling-disassembling , straightening,forming,punching,pressing the parts in electromechanical line,also used for assembling-disassembling countershaft and semi-shaft in automobile repairing line,and used for shoveling,punching,riveting the eight-wheel,and is the necessary press machinery in other lines.

**Main Technical Data of Portal frame power-operated hydraulic press**

MODEL	kN	MPa	kw	mmxn	kg		
MDY300	300	25	1.5	200x4	405		
MDY500	500	30	2.2	230x3	550		
MDY630	630	30	4	250x3	850		
MDY800	800	30	4	280x3	1020		
MODEL	A	B	C	D	E	F	G
MDY300	1310	700	1885	700	1040	250	320
MDY500	1440	800	1965	800	1075	250	350
MDY630	1570	900	2050	900	1015	300	385
MDY800	1680	1100	2070	1000	1005	300	395

**PRODUCTS>>MDY1000/1500/2000/3000>> Hydraulic Press**



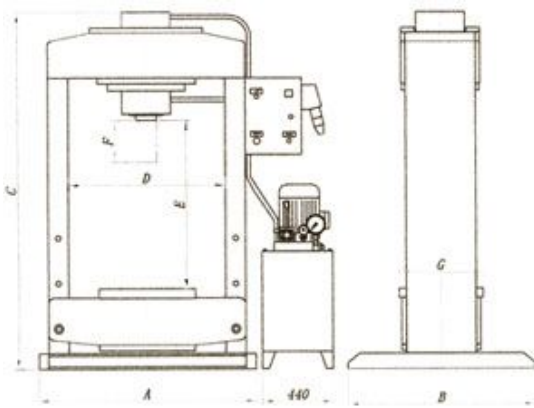
MDY1000/1500/2000/3000



Disposition for export



Disposition for export



**Main Technical Data of Portal frame power-operated hydraulic press**

Model	kN	MPa	kw	mmxn	kg		
MDY1000	1000	30	7.5	300x2	1380		
MDY1500	1500	30	7.5	300x2	2010		
MDY2000	2000	30	7.5	300x2	2480		
MDY3000	3000	30	7.5	300x2	3350		
Model	A	B	C	D	E	F	G
MDY1000	1435	1200	2264	1060	1100	350	400
MDY1500	1502	1250	2295	1100	1050	350	530
MDY2000	1635	1300	2315	1200	995	350	550
MDY3000	1680	1350	2535	1200	995	350	660

**MJY200/300/500>> portable frame foot-operated hydraulic press**



Model MJY200/300 is suitable for dismantling-assembling the parts of car..



Model MJY500 Adopting new type combined hydrocylinder and working safely

**Main Technical Data of Motor dismantling–assembling equipment**

Model	kN	MPa	mmxn	kg
MJY200	200	38	180x4	190
MJY300	300	36	200x4	285
MJY500	500	40	250x3	410

Model	A	B	C	D	E	F	G
MJY200	880	650	1800	500	944	150	230
MJY300	940	700	1850	600	971	180	280
MJY500	1157	800	2100	700	990	290	320

**PRODUCTS>>MSY100A/100B/200/300>> portable frame hand-operated hydraulic press**



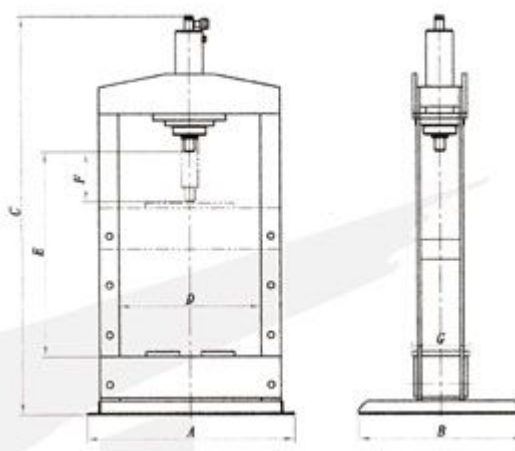
Model MSY100A is suitable for dismantling-assembling the small parts..



Model MSY200/300 is suitable for dismantling-assembling the parts of car..



Model MSY100B is suitable for dismantling-assembling the small parts..



Hand-operated hydraulic press

**Main Technical Data of Motor dismantling–assembling equipment**

Model	kN	MPa	mmxn	kg
MSY100A	100	48	150x3	122
MSY100B	100	48	150x3	90
MSY200	200	38	180x4	180
MSY300	300	36	200x4	275

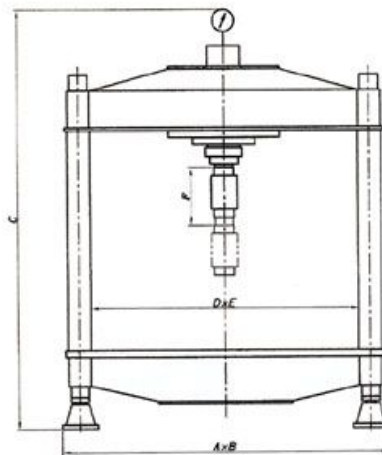
Model	A	B	C	D	E	F	G
MSY100A	630	500	(1920)	430	620	150	180
MSY100B	630	500	1205	430	620	150	180
MSY200	940	650	1800	500	944	150	230
MSY300	1000	700	1850	600	971	180	280

ZSY 100/300/500>>Four-pillar Hand-operated Hydraulic Press





Adopting new type combined hydrocylinder;Used for crimping thin and large area engineering material Model ZSY100 is suitable for dismantling-assembling the small parts goods



### Main Technical Data of Four-pillar hand-operated hydraulic press

Model	kN	MPa	kg		
ZSY100	100	48	135		
ZSY300	300	38	1650		
ZSY500	500	40	1880		
Model	A X B	C	D X E	F	C+
ZSY100	688 480	1100	440 218	150	1815
ZSY300	1320 1300	1780	1000 1000	180	
ZSY500	1480 1470	1880	1200 1200	250	

## Model-QJY straightening equipment with crank axle

PRODUCTS&gt;&gt;QJY 250/680 &gt;&gt;



## Main Technical Data

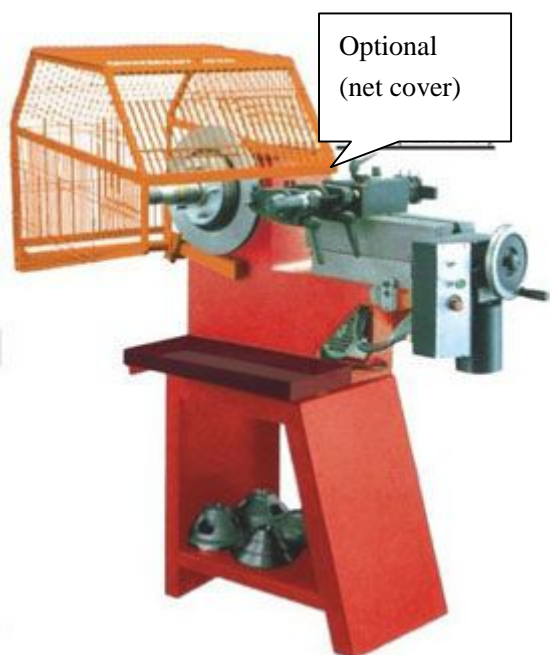
Model	Unit	QJY250	QJY680
Max Pulling force	KN	250	680
Fluid pressure	MPa	40	40
Pressure itinerary	mm	45	50
Wheelbase	mm	≤85	≤120
Outside dimensions	mm	1700X700X900	2000X750X900
Weight	kg	120	200

### T8435 Multi-use Brake Lathe



Specification		
Drum dia Capacity (mm)	180-360	
Disc dia Capacity (mm)	≤500	
Spindle Speed (rpm)	75 120 350 550	
Spindle Speed (rpm)	72 120	
Slide Carrage Travel (mm)	300	
Feed Rate (mm/min)	0-300	

### T8436 Brake Lathe/Disc cutting machine



Specification		
Drum dia Capacity (mm)	180-360	
Disc dia Capacity (mm)	≤500	
Spindle Speed (rpm)	80 110 160	
Slide Carrage Travel (mm)	100	
Feed Rate (mm/min)	0-300	

## T8445 (FCV) BRAKE DRUM/DISC CUT MACHINE



Specification		
Drum dia Capacity (mm)		180-450
Disc dia Capacity (mm)		≤400
30 50 85		
Spindle Speed (r/min)	three grades	
Toolpost Travel (mm)		170
Feed Rate (mm/r)		0-0.5mm/min
Motor (Kw/rpm)		1.1/1400
Power Requirement	380V 50HZ 3Phases 3A	
Drum size		
(Length)		820
(Width)		1080
(Height)		1280
Net Weighth(kg)		320

### T8445 (FCV) BRAKE DRUM/DISC CUT MACHINE

The equipment is a kind of infinitely variable speed lathe. It can fulfill the reparation of the brake drum disc and shoe of auto-mobiles from mini-car to medium heavy trucks. The unusual feature of this equipment is its Twin-Spindle each other perpendicular structure. The brake drum/shoe can be cut on the first spindle and the brake disc can be cut on the second spindle. This equipment has higher rigidity, accurate workpiece positioning and is easy to operate

## T8445A BRAKE DRUM/DISC CUTTING MACHINE



Specification		
Drum dia Capacity (mm)		180-450
Disc dia Capacity (mm)		≤400
Spindle Speed(r/min)three grades	30 50 85	
Toolpost Travel (mm)		170
Feed Rate (mm/r)		0.3 0.16
Motor (Kw/rpm)		1.1/1400
Power Requirement		380V 50HZ 3Phases 3A
(Length)		720
(Width)		850
(Height)		1140
Net Weitht(kg)		360

### T8445A BRAKE DRUM/DISC CUTTING MACHINE

This equipment is a kind of lathe. It can fulfill the reparation of the brake drum, disc and shoe of automobiles from mini-car to medium trucks. The brake drum/shoe can be cut on the first Spindle and the brake disc can be cut on the seond Spindle. This equipment has higher rigidity, accurate workpiece positioning and is easy to operate. This equipment meets the requirement of State Standard(GB12064), Brake Drum Cutting Machine

If you adopt this equipment, there is no doubt for your enterprise to set up higher reputation due to better process quality and lower your process cost

## T8465 BRAKE DRUM/DISC CUTTING MACHINE



Specification		
Drum dia Capacity (mm)		180-650
Disc dia Capacity (mm)		≤500
Spindle Speed(r/min)three grades	25 40 70	
Toolpost Travel (mm)		250
Feed Rate (mm/r)		0.16
Motor (Kw/rpm)		1.1/1400
Power Requirement		380V 50HZ 3Phases 3A
Dimension: not include crane and outboard supporter		
Length		800
Width		875
Height		940
Net Weitht(kg)		580



国外随机定位元件



国内随机定位元件

### T8465 BRAKE DRUM/DISC CUTTING MACHINE

This equipment is a kind of lathe. It can fulfill the reparation of the brake drum, disc and shoe of automobiles from mini-car to medium trucks. The brake drum/shoe can be cut on the first Spindle and the brake disc can be cut on the seond Spindle. This equipment has higher rigidity, accurate workpiece positioning and is easy to operate. This equipment meets the requirement of State Standard(GB12064), Brake Drum Cutting Machine.



随机芯轴、刀杆

If you adopt this equipment, there is no doubt for your enterprise to set up higher reputation due to better process quality and lower your process cost

## ZT20 Combination Press for dismantle absorber spring

